



Rotax MAX Challenge Technical Regulation 2015
Appendix for 125 Micro MAX and 125 Mini MAX
 (The Technical Regulations 2015 replace the Technical Regulations 2014)
 Edition 2014 12 12

The 125 Junior MAX engine is the basis for the engine configurations 125 Micro MAX and 125 Mini MAX.

In this appendix just the deviations for 125 Micro MAX and 125 Mini MAX from the standard Technical Regulation for the 125 Junior MAX engine are defined.

Appendix on 1.1, Categories

Cadet karts used in the Rotax Mojo MAX Challenge (RMC) and International Rotax Mojo MAX Challenge Events (IRMCE) are divided into the following classes:

- 125 Micro MAX
- 125 Mini MAX

Classes	125 Micro MAX	125 Mini MAX
Age limits	8 – 10 years	10 – 12 years
Chassis wheel base	950 mm	1010 or 1040 mm
Weight limits	105 – 115 kg	125 – 135 kg
Dry tires	Mojo C2	Mojo D1
Wet tires	Mojo CW	Mojo W2

Appendix on 5.1, Squish gap

- 125 Micro MAX/evo minimum = 2,40 mm
- 125 Mini MAX/evo minimum = 2,40 mm

To achieve the defined minimum squish gap one spacer (Rotax part no. 626 420, with same shape as cylinder base gasket) in combination with at least two cylinder base gaskets (one below the spacer and one above the spacer) must be used.

The squish gap must be measured with a certified slide gauge and by using a 3 mm tin wire (Rotax part no. 580 132).

Appendix on 6.6, Ignition system

Both versions of ignition systems (Denso and Dellorto) are legal to be used.

Version 2, Dellorto ignition system

The electronic boxes are labeled with stickers and are still legal also if the sticker disappeared.

- 125 Micro MAX and 125 Mini MAX: “666814, 125 MAX evo”

The ECU tester has to show following result:

125 Micro MAX and 125 Mini MAX

- ECU TEST OK
- 125 MAX evo

Appendix on 6.11, Radiator

125 Micro MAX

A specific radiator has to be used for the 125 Micro MAX engine.

Two different versions as shown in the illustrations are legal to be used.

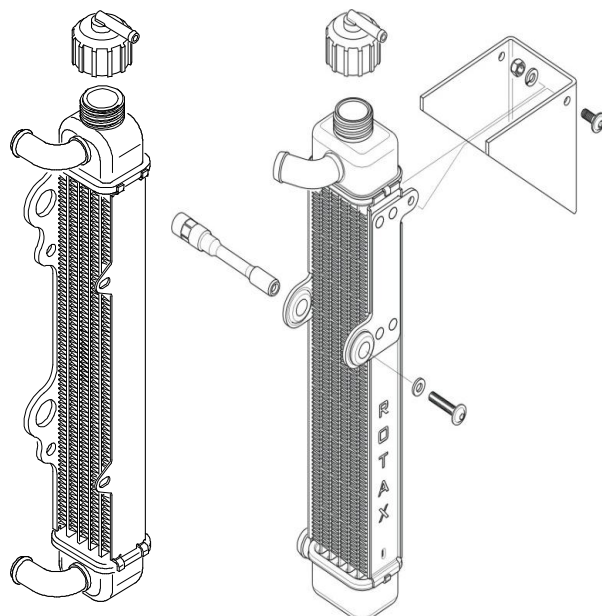
Cooling area:

Height = 280 – 300 mm

Width = 58 – 62 mm

Thickness of radiator = 30 – 34 mm

To remove the original flap is an allowed modification (valid for version 2, right illustration).



Appendix on 6.13, Exhaust system

Just exhaust sockets with gasket ring are legal to be used.

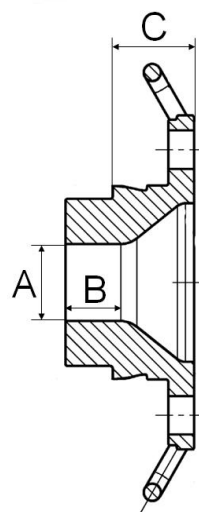
Diameter (A) must apply for a length (B) of at least 12 mm.

Maximum inner diameter (A) of exhaust sockets are:

125 Micro MAX: 18,20 mm

125 Mini MAX: 20,10 mm

The measurement (C) must be at least 18,5 mm.



125 Micro MAX

A specific exhaust system has to be used for the 125 Micro MAX engine.

The inner diameter of the elbow outlet at the silencer end cover has to have a minimum measurement of 21 mm

